

Oilless Regenerative Blower, Motor Mounted to 420 cfm



REGENAIR® R7 Series



MODEL R7100A-2

115" H₂O MAX. PRESSURE, 420 CFM OPEN FLOW
95" H₂O MAX. VACUUM, 410 CFM OPEN FLOW

PRODUCT FEATURES

- Oilless operation
- TEFC motor mounted
- Can be mounted in any plane
- Rugged construction/low maintenance
- Class F insulation on motor

COMMON MOTOR OPTIONS

- 208-230/460V, 60 Hz; 190-220/380-415V, 50 Hz, three phase

RECOMMENDED ACCESSORIES

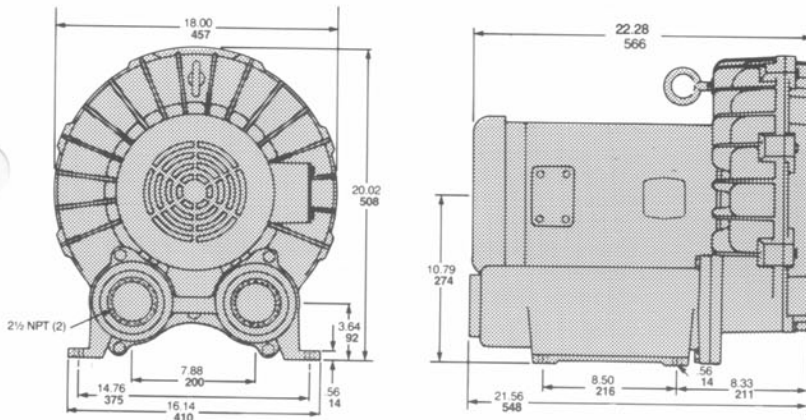
- Pressure gauge AE133
- Filter AJ126G (pressure)
- Vacuum gauge AE134
- In-line filter AJ151H (vacuum)
- Muffler AJ121G
- Relief valve AG258
- Nema motor starter size – 1/1, for 60 Hz operation
- Moisture separator RMS400 (vacuum)

Various brand name motors are used on any model at the discretion of Gast Mfg. Corp.

Important Notice:

Pictorial, performance and dimensional data is subject to change without notice.

Product Dimensions Metric (mm) U.S. Imperial (inches)

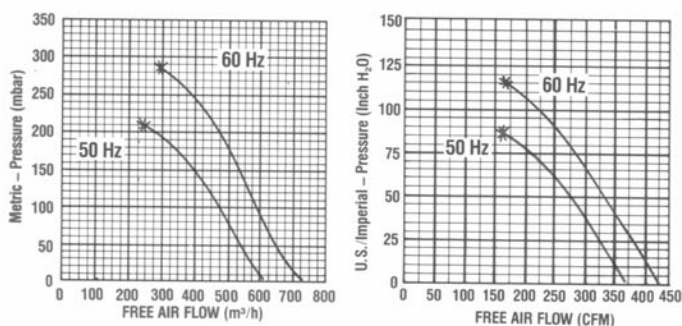


Product Specifications

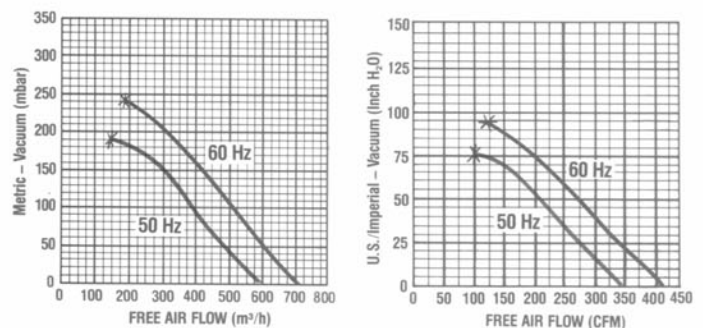
Model Number	Motor Specs	Full Load Amps	Locked Rotor Amps	HP	RPM	Max Vac		Max Pressure		Max Flow		Net Wt.	
						"H ₂ O	mbar	"H ₂ O	mbar	cfm	m ³ h	lbs.	kg
R7100A-2	190-220/380-415-50-3	19.2-18.3/9.6-9.35	120 @ 460V	8	2850	74	184	85	212	355	603	297	134
	208-230/460-60-3	27.3-25/12.5		10	3450	95	237	115	286	420	714		

Product Performance (Metric U.S. Imperial)

Pressure



Vacuum



*Recommended maximum duty.