

Oiless Regenerative Blowers, Motor Mounted to 92 cfm



REGENAIR® R4 Series



MODELS R4110-2/R4310A-2
52" H₂O MAX. PRESSURE, 92 CFM OPEN FLOW
48" H₂O MAX. VACUUM, 88 CFM OPEN FLOW

PRODUCT FEATURES

- Oilless operation
- TEFC motor mounted
- Can be mounted in any plane
- Rugged construction/low maintenance
- Can be operated with no air flow through unit
- Class B insulation on motors
- Automatic restart thermal protection on single phase motors

COMMON MOTOR OPTIONS

- 115/208-230V, 60 Hz; 110/220-240V, 50 Hz, single phase
- 208-230/460V, 60 Hz; 190-220/380-415V, 50 Hz, three phase
- 575V, 60 Hz, three phase

RECOMMENDED ACCESSORIES

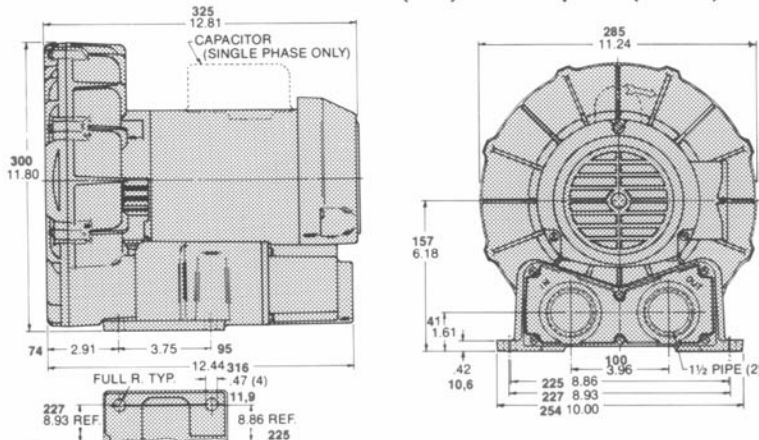
- Pressure gauge AJ496
- Filter AJ126D (pressure)
- Vacuum gauge AJ497
- In-line filter AJ151D (vacuum)
- Muffler AJ121D
- Relief valve AG258
- Nema motor starter size – 0/00 (R4110-2), 00/00 (R4310A-2), for 60 Hz operation
- Moisture separator RMS160 (vacuum)

Various brand name motors are used on any model at the discretion of Gast Mfg. Corp.

Important Notice:

Pictorial, performance and dimensional data is subject to change without notice.

Product Dimensions Metric (mm) U.S. Imperial (inches)



Product Specifications

| Model Number | Motor Specs | Full Load Amps | Locked Rotor Amps | HP | RPM | Max Vac | | Max Pressure | | Max Flow | | Net Wt. | |
|--------------|----------------------|-----------------|-------------------|-----|------|-------------------|------|-------------------|------|----------|-------------------|---------|------|
| | | | | | | "H ₂ O | mbar | "H ₂ O | mbar | cfm | m ³ /h | lbs. | kg |
| R4110-2 | 110/220-240-50-1 | 9.0/4.5-5.7 | 31.2 @ 230V | 0.6 | 2850 | 34 | 85 | 38 | 95 | 74 | 126 | 41 | 18,6 |
| | 115/208-230-60-1 | 9.8/5.2-4.9 | | 1.0 | 3450 | 48 | 120 | 52 | 130 | 92 | 156 | | |
| R4310A-2 | 190-220/380-415-50-3 | 2.6-3.3/1.3-1.4 | 26.5 @ 230V | 0.6 | 2850 | 34 | 85 | 38 | 95 | 74 | 126 | 41 | 18,6 |
| | 208-230/460-60-3 | 3.4-3.2/1.6 | | 1.0 | 3450 | 48 | 120 | 52 | 130 | 92 | 156 | | |

Product Performance (Metric U.S. Imperial)

