



| Model | Voltage | Hz | HP | kW | SCFM | Pressure mbar "H2O | Vacuum mbar "H2O | Noise Level | Net Weight kg lbs |
|-----------|---------|----|------|------|------|-----------------------|---------------------|-------------|----------------------|
| RB4-105-2 | 2 | 60 | 1.5 | 1.1 | 155 | 147 59 | 145 58 | 73 db(A) | 20.5 46 |
| RB4-105-3 | 3 | 50 | .9 | .9 | 127 | 137 55 | 145 58 | 70 db(A) | 20.5 46 |
| RB4-2-2 | 2 | 60 | 2 | 1.5 | 155 | 179 72 | 194 78 | 73 db(A) | 22 48 |
| RB4-2-3 | 3 | 50 | 1.3 | 1.3 | 127 | 179 72 | 194 78 | 70 db(A) | 22 48 |
| RB4-205-2 | 2 | 60 | 2.5 | 1.9 | 155 | 222 89 | 212 85 | 73 db(A) | 23 51 |
| RB4-205-3 | 3 | 50 | 1.75 | 1.75 | 127 | 222 89 | 217 87 | 70 db(A) | 23 51 |
| RB4-305-3 | 3 | 60 | 3.5 | 2.6 | 155 | 314 126 | 255 102 | 73 db(A) | 26 57 |
| | | 50 | | 2.2 | 127 | 274 110 | 230 88 | 70 DB(A) | 26 57 |

*Refer to curves below for detailed performance data. Data subject to change without notice. Actual performance may vary by ±10%.

STANDARD FEATURES

- Housing - Aluminum
- Impeller - Aluminum, dynamically balanced
- Direct drive impeller
- Shock absorbing mounting base
- Quiet operation - below OSHA limits
- Inlet & outlet silencers included
- Motor shaft seal standard
- IP 54 TEFC 2 pole squirrel cage ac motor
- 40 Deg C ambient
- Class H insulation 1.15 service factor
- Performance tested ANSI/AMCA210-85
- Phase & voltage
 - 1 = 1/60/115/230 & 1/50/220
 - 2 = 1/60/50/230
 - 3 = 3/60/208-230/460 3/50/220/380

3/60/208-230/460 & 3/50/220/380

- RB4-105-3 replaces HB-419
- RB4-2-3 replaces HB-429A
- RB4-205-3 replaces HB-429
- RB4-305-3 replaced HB-439

1/60/115/230 & 1/50/220

- RB4-105-2 replaces HB-429-11
- RB4-2-2 replaces HB-429-12
- RB4-205-2 replaces HB-429-1

REQUIRED ACCESSORIES

NOTE: To obtain blower warranty coverage a pressure relief valve and filter are required.

- Pressure Relief Valve RV-01
- Pressure Relief Valve RVA-01
- Vacuum Relief Valve RV-01
- Vacuum Relief Valve RVA-01

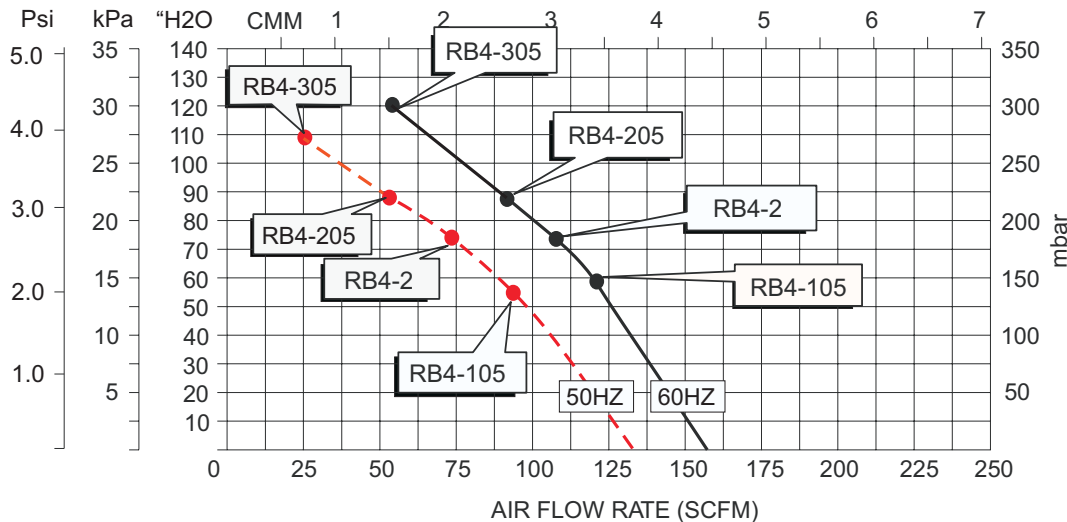
- Pressure Intake Air Filter F31P-200
- Vacuum Air Filter CSL-849-1150HC

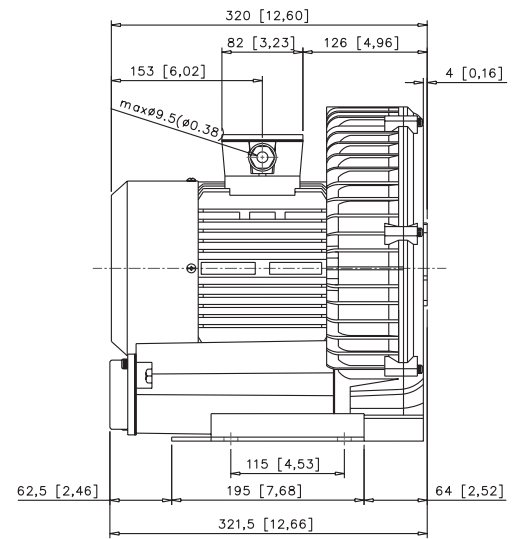
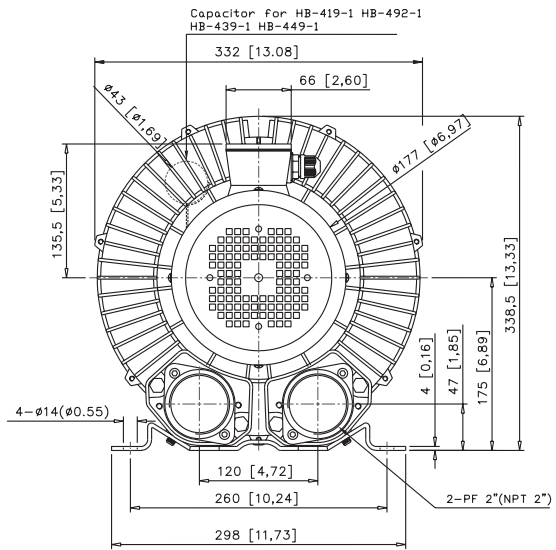
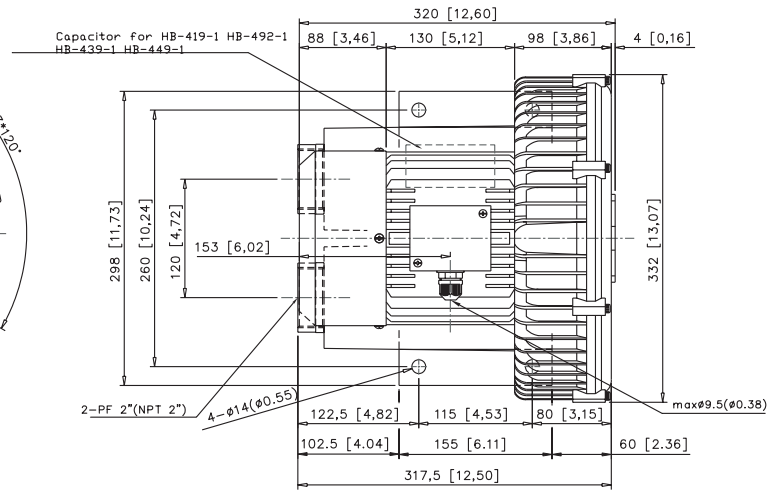
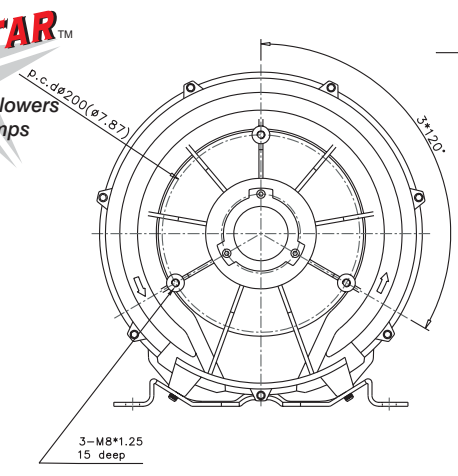


TECHNICAL DATA

- [Available online www.all-star-usa.com]
- Performance Temperature Rise Curves
- AutoCad files
- Parts List
- Full Load amperage

PRESSURE DATA CURVES ±10%
[See reverse side for Vacuum Curves]





VACUUM DATA CURVES ± 10%

